

GENERAL NOTES FOR MATERIALS SELECTION

FLASHINGS
Flashing materials must be selected based on environmental exposure, refer to NZS 3604 & Table 20 of NZBC E2/AS1.

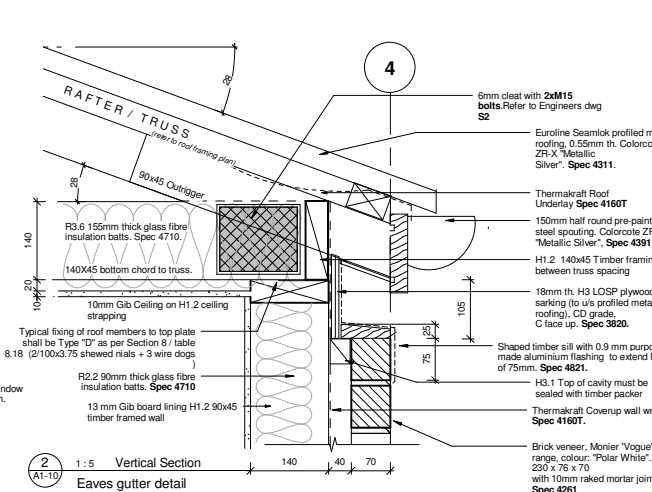
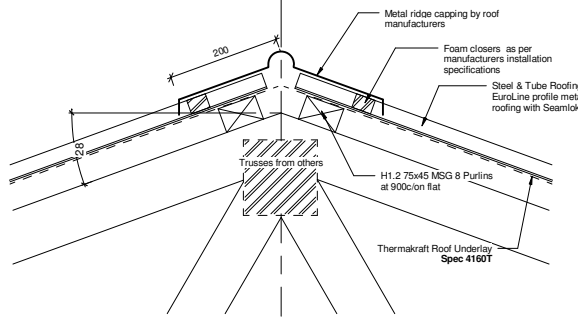
Ridge flashing lapped and sealed as per fig 6 / Section 6

Building wrap must comply with acceptable solution E2/AS1 & NZS 3604.

Flashing tape must have proven compatibility with the selected building wrap & other materials with which it comes into contact as per Table 21 of E2/AS1.

BUTYL & EPDM MEMBRANES

All work with membrane finishes shall conform to Section 8 of E2/AS1.
Refer to section 4106T in specification for information on building wraps and membranes



GENERAL NOTES FOR MATERIALS SELECTION

FLASHINGS
Flashing materials must be selected based on environmental exposure, refer to NZS 3604 & Table 20 of NZBC E2/AS1.

Building wrap must comply with acceptable solution E2/AS1 & NZS 3604.

Flashing tape must have proven compatibility with the selected building wrap & other materials with which it comes into contact as per Table 21 of E2/AS1.

BRICK VENEER

Brick work and ties

Use fixings and methods capable of sustaining the loads appropriate to the area as set out in NZS 3604 and NZS 4210 and as required by NZS 1170.5.

Brickwork to comply with NZBC B1/AS1 Structure - General, 2.0 Masonry.

Important:
a. All lintel bars must be propped until mortar is set (7 days).
b. It is important to allow the first 3 courses of the brickwork over an opening to set before laying any more bricks above.
c. Provide brick ties within the bottom two courses.
d. All steel angle lintels to be hot dip galvanised.

STONE WORK

AS/NZS 2699.1 Built in components for masonry construction - Wall ties NZS 3103 Sands for mortars and plasters NZS 4210 Masonry construction: materials and workmanship

TIMBER FRAMING

All timber framing to be H1.2 treated and MSG-8 unless otherwise stated.

External decks and canopy roofs are to H3.1 unless otherwise stated.

WINDOWS
Powder coated aluminium joinery to nzs 4223 and specifications (see nzs 4223 part 3 for glazing)

-Window catches to be interlock sub-fix deluxe wedge less lockable fasteners.

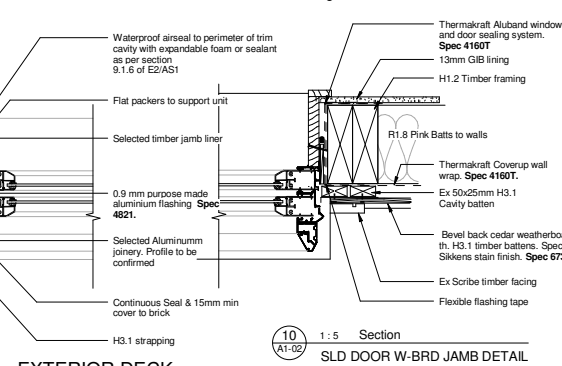
-Liners fixed to exterior windows to be h3.1 treated finger-jointed pine-width to suit framing.

-Liners to be related to wall linings.

BUILDING WRAPS & UNDERLAYS

Breather type, waterproof, to NZBC E2/AS1, table 23:

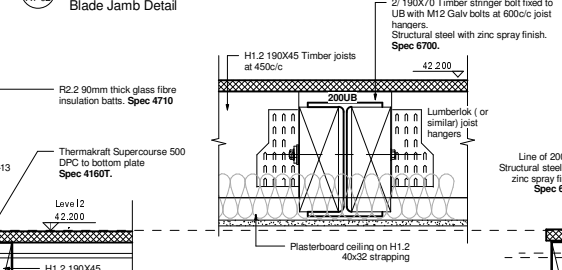
Exterior cavity wall battens
Radiata pine battens, minimum 20mm thickness, width and height to match timber battens studs as per To NZS 3602, table 1



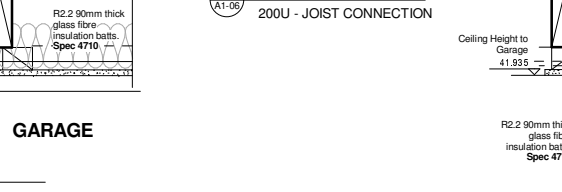
EXTERIOR DECK



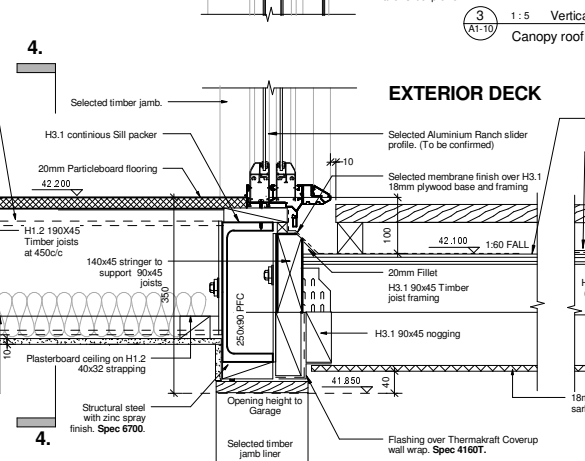
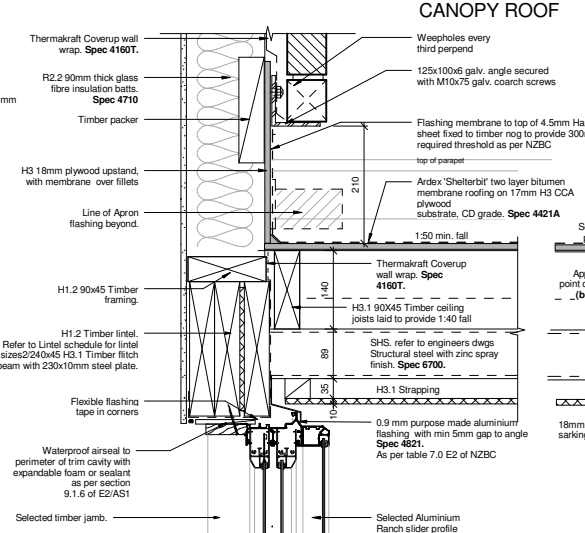
EXTERIOR DECK



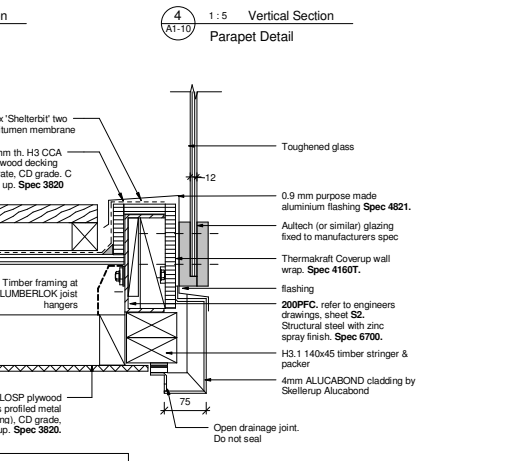
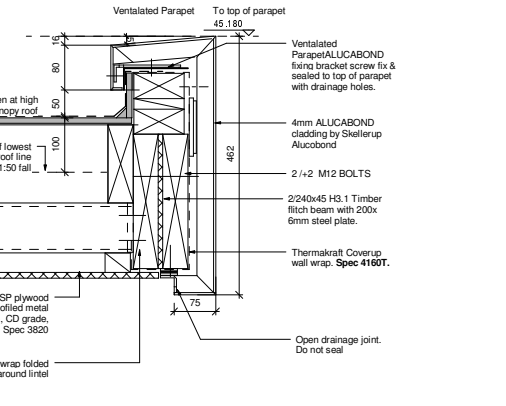
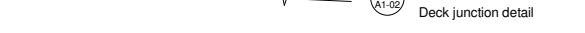
EXTERIOR DECK



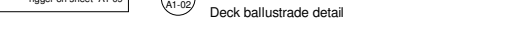
EXTERIOR DECK



GARAGE



EXTERIOR DECK



Refer to Roof framing plan for location and setout for Metal outrigger on sheet A1 09